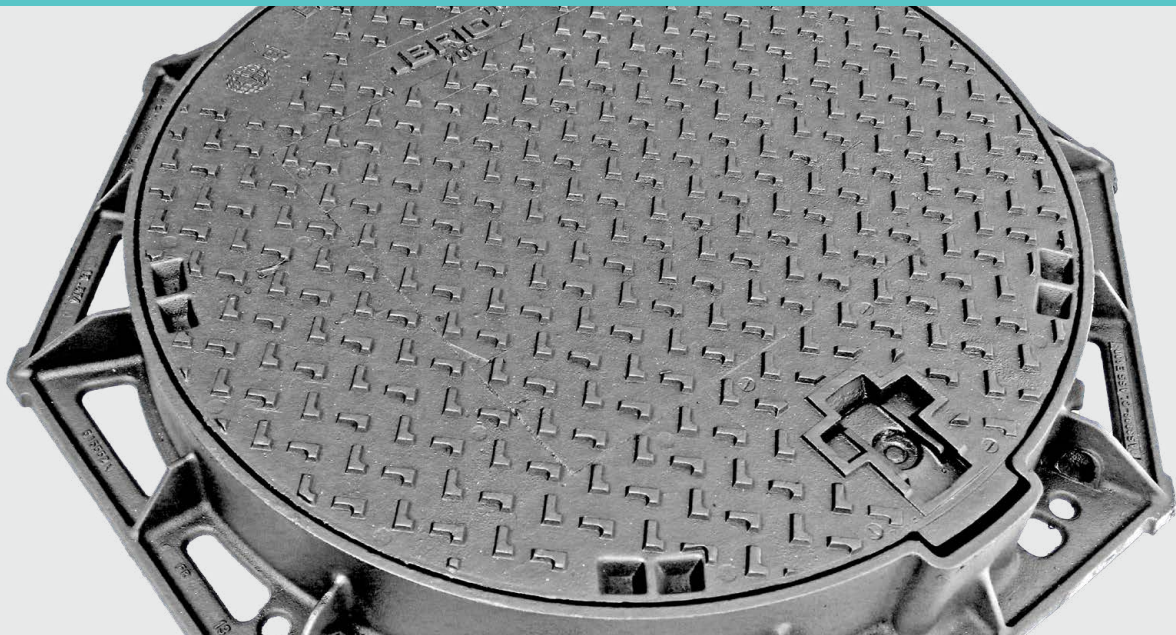


Brio 700mm Locking Access Cover and Frame

Large Bolt Down Access Cover and Frame where security and a larger opening is required.



TECHNICAL GUIDE: **CG2.7**

Applications

Transport hubs
Parking areas, streets,
and hard shoulders
Water and Wastewater networks
Security applications

Product Attributes

Minimum 700mm clear opening
for maneuverability
Has a hinged cover for
ergonomic opening
Has a locked retractable handle
Can accommodate field staff wearing
breathing apparatus

Approvals/Standards

AS3996:2019 Class D240kN
P5 rated for slip resistance to
AS4586:2013

Quality

Manufactured from Ductile Iron grade
500/7, in accordance with ISO 1083

The Brio 700mm is a high quality long serving Ductile Iron bolt down cover and frame system manufactured to the highest standards in Europe. These covers offer security and are the perfect solution where a larger opening is required.

Features

- Brio 700 covers are machine moulded in Europe.
- Polyethylene elastic support to eliminate the risk of traffic noise.
- Seatings ensure non-rock stability.
- Has a hinged cover for ergonomic opening.
- Cover has five guides to ensure central positioning.
- Secured retractable handle is locked by a coded screw/nut system.
- Unlocking with coded key.
- Cover can be removed from the 90° angle.
- Cover opening angle is 120° angle.
- Nontoxic water based black painted coating.

Dimensions

- Clear Opening - 700mm
- Cover External Diameter- 750mm
- Overall Dimension – 1000mm
- Depth of frame – 100mm
- Cover Weight: 48kg
- Total Weight: 80kg

Product Code	Description
DIMHBCF700H	Brio Access Cover Ø700 Locking
DIMHLK	Locking Key for Access Covers

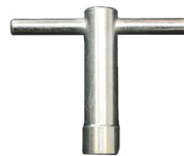
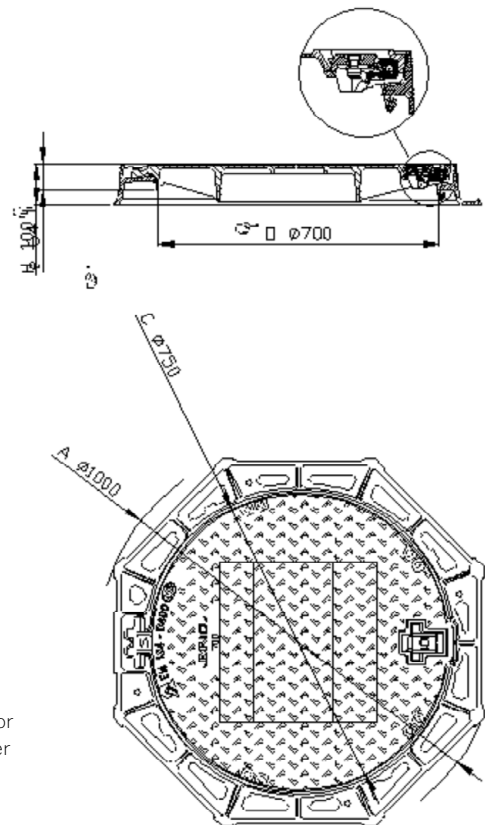


FIG. 1 Locking Key for Hinged Access Cover



Scan for more information

Disclaimer: While every effort has been made to ensure that the information in this document is correct and accurate, users of Hygrade Water product or information within this document must make their own assessment of suitability for their particular application. Product dimensions are nominal only, and should be verified if critical to a particular installation. No warranty is either expressed, implied, or statutory made by Hygrade Water unless expressly stated in any sale and purchase agreement entered into between Hygrade Water and the user.

March 2024